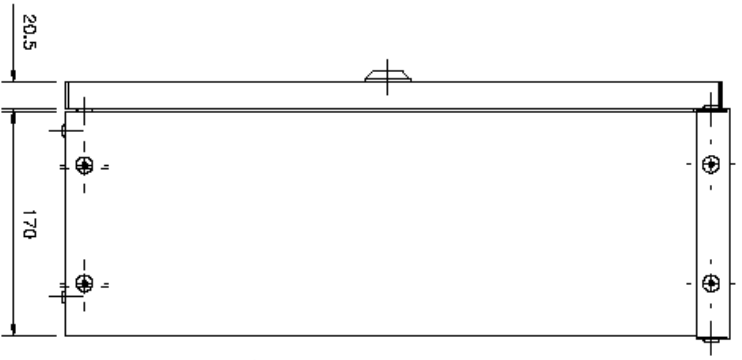
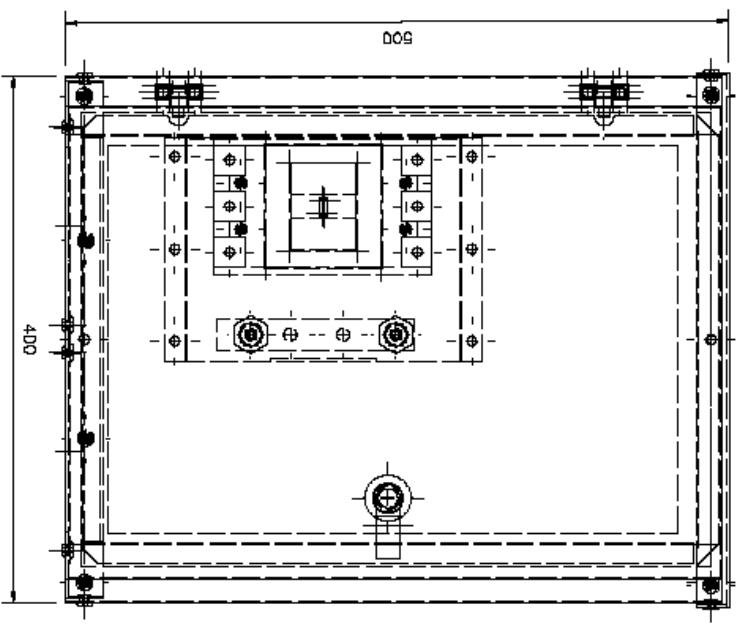
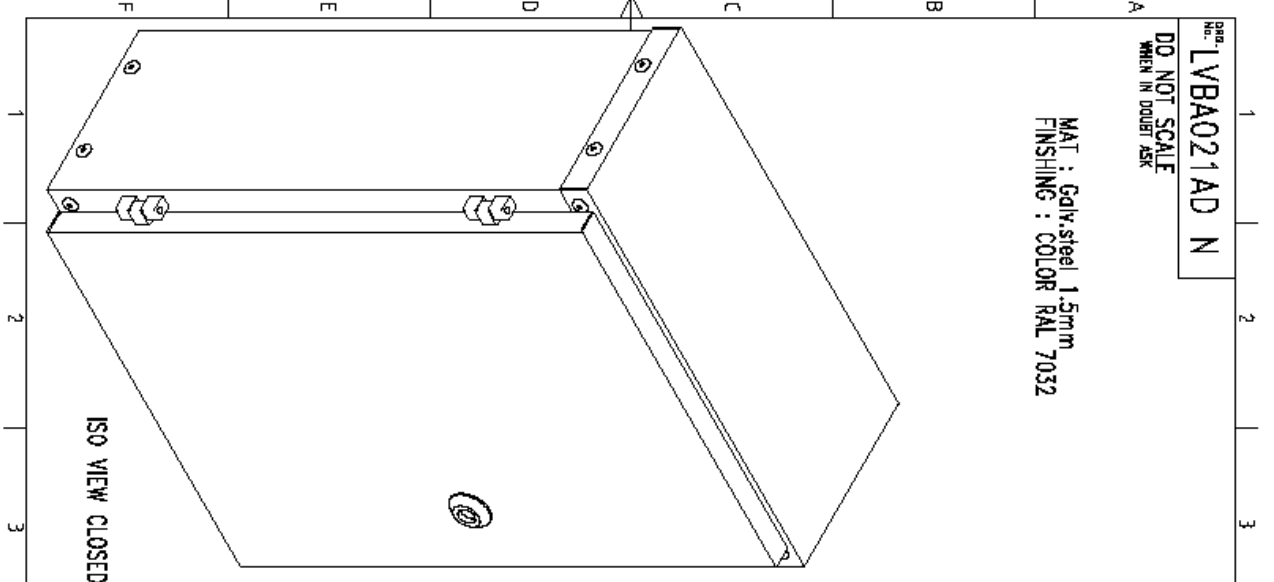


Part No. LVBA021AD N

DO NOT SCALE
WHEN IN DOUBT ASK

MAT : Galv.steel 1.5mm
FINISHING : COLOR RAL 7032



PROJECTION 1st ANGLE	DRAWN AP/D	M.F. NO.00.00	TITLE ASSY THE BOX
	CHECKED AP/D	NO.00.00	
	TENDER NO.		BOX 500X400
	FOR THE SIGNATURE OF CONTRACT NO.		
	DESTINATION		

EICO . LTD.		DRAWING NO.
		LVBA021AD N
SCALE: 1:5.7		
SHEET SIZE: A3		
GRADE: XXXX		

CONFIDENTIAL AND COPYRIGHT OF EICO. LTD. ALL DIMENSIONS IN MM.