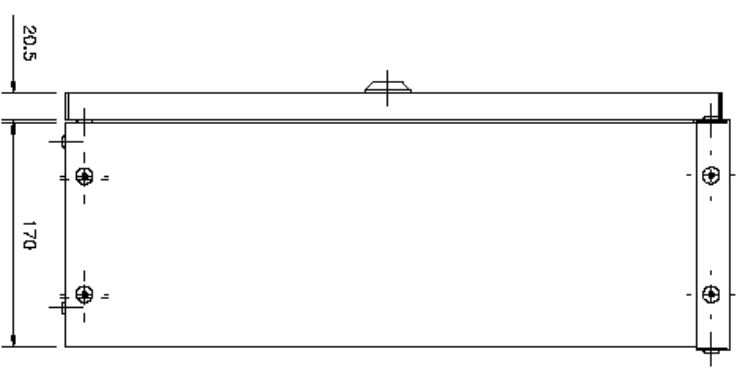
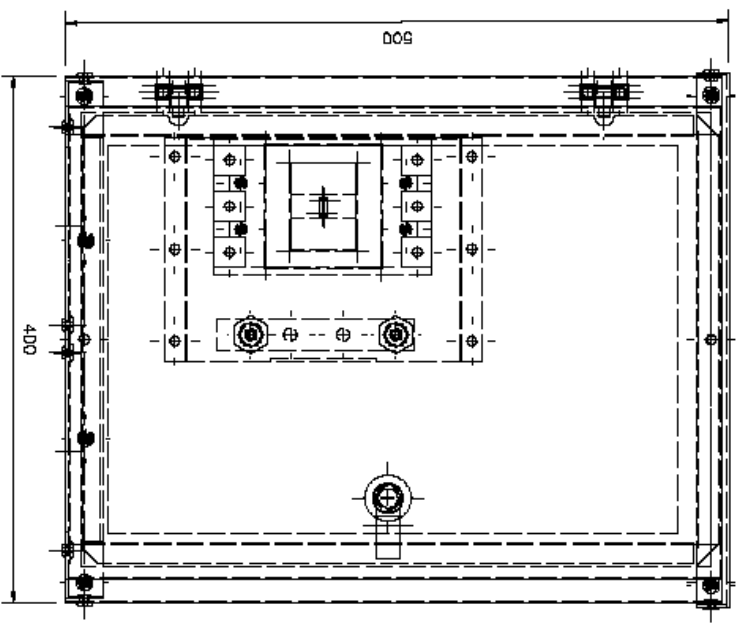
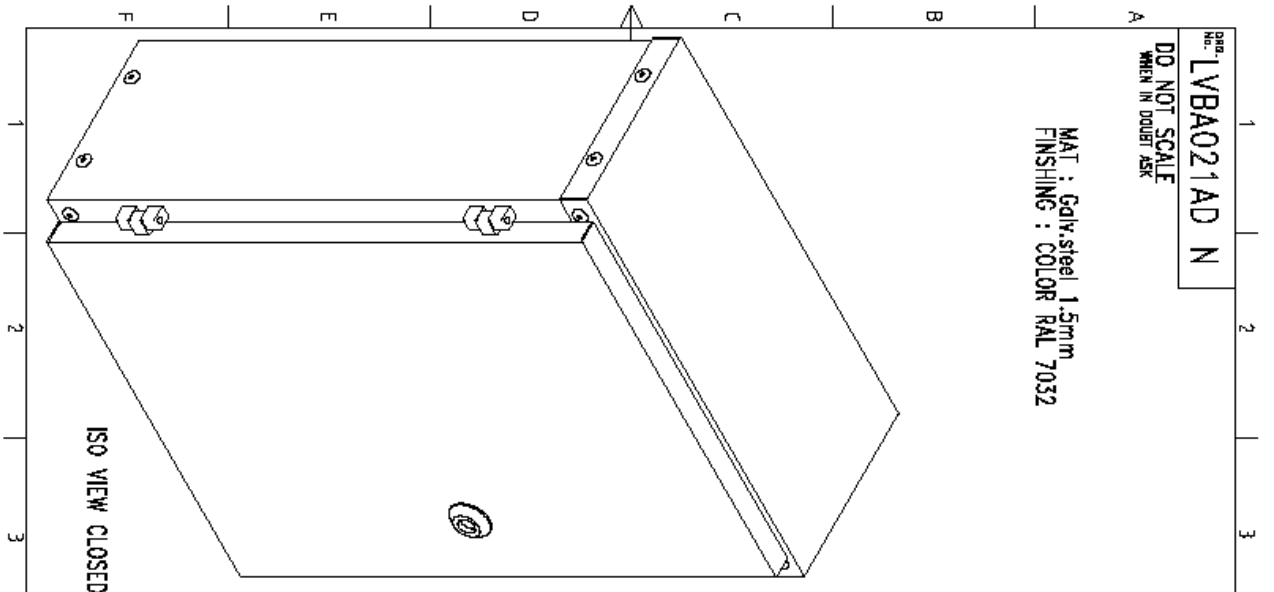




Part No. LVBA021AD N

DO NOT SCALE  
WHEN IN DOUBT ASK

MAT : Galv.steel 1.5mm  
FINISHING : COLOR RAL 7032



PROJECTION 1st ANGLE	DRAWN M.F.	NO.07.09	TITLE	DRAWING NO.
	CHECKED A.P.P'D	NO.00.00	ASSY THE BOX	LVBA021AD N
	TENDER NO.	NO.00.00		
	FOR THE SIGNATURE OF CONTRACT NO.		BOX 500X400	
	DESTINATION			
CONFIDENTIAL AND COPYRIGHT OF EDO. LTD.				
FOR THE SIGNATURE OF CONTRACT NO.			SCALE: 1:5.7	
FOR THE SIGNATURE OF CONTRACT NO.			SHEET SIZE: A3	
FOR THE SIGNATURE OF CONTRACT NO.			CLAR: XXXX	
FOR THE SIGNATURE OF CONTRACT NO.			ALL DIMENSIONS IN MM.	

EICO . LTD.